

# Do You Know The Advantages Of Pet Feed Production Line?

The material can be matured in 10 seconds under the action of the high temperature of the twin screw extruder. And the cooking can be completed in a very short time. It can retain the protein, energy and vitamin content in the material. And it improves the digestibility and palatability of the product.

With the continuous progress and development of society, the use of automatic pet feed production lines is also increasing. Do you know the advantages of industrial pet feed making production lines? Let me explain to you the advantages of full automatic pet feed making machine:



The material can be matured in 10 seconds under the action of the high temperature of the twin screw extruder. And the cooking can be completed in a very short time. It can retain the protein, energy and vitamin content in the material. And it improves the digestibility and palatability of the product.

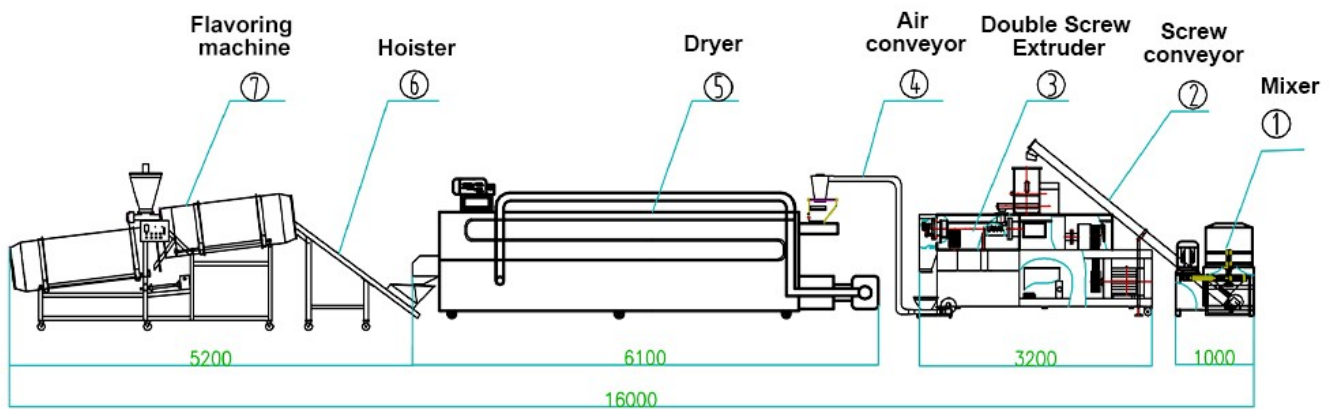
Puffing and molding: The raw material is suddenly reduced in pressure after continuous high pressure. It can make starch cells gelatinize and oil cells rupture, processing the desired

product shape.

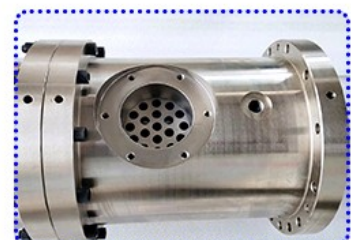
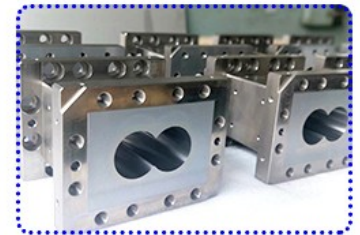


After the materials in the industrial pet feed production equipment are processed by high temperature and high pressure. The pathogenic microorganisms in them are killed. It can effectively prevent swine white diarrhea and yellow diarrhea. And it improves the survival rate of cubs.

Enhance the stability of the feed. Under the action of high temperature and high pressure. The machine can inactivate the enzymes that cause corruption in the material and enhance the stability of the feed during storage.



Dehydration of automatic pet feed production equipment: When the material leaves the extruder, under the action of high temperature and high pressure. The water in the feed can be instantly evaporated. It is beneficial to storage.



Good palatability: it can be puffed to produce feed with unique fragrance and fluffy feeling, which has good palatability for animals and high gelatinization.